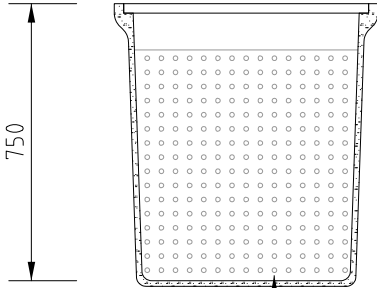


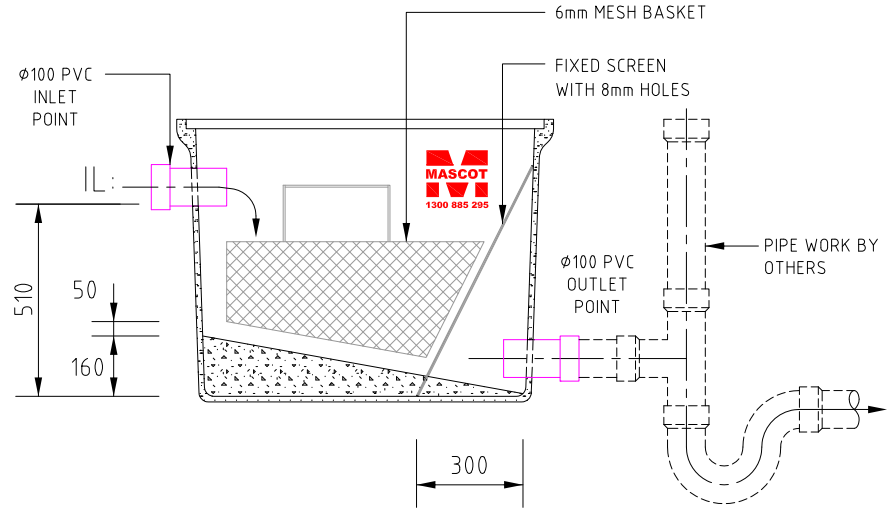
PRECAST GRC DRY ARRESTOR PIT

MODEL NO: AD19



FIXED SCREEN WITH 6mm HOLES
(6mm MESH BASKET NOT SHOWN)

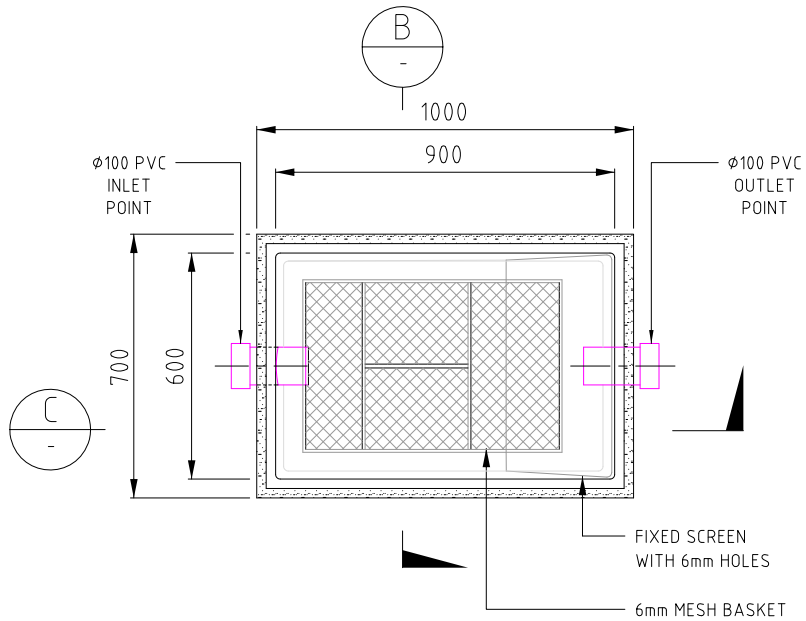
B END SECTION
- NOT TO SCALE



C SIDE SECTION
- NOT TO SCALE

PRODUCT NOTE:

1. TESTED AND APPROVED FOR INSTALLATIONS UP TO 5000mm DEEP.
2. 300mm RISERS AVAILABLE.
3. LARGE RANGE OF CONCRETE SURROUNDS GASTIGHT COVERS TO SUIT ALL LOAD RATINGS.
4. MPA RATING FOR GRC - 60 mpa @ 28 DAYS.
5. AVAILABLE EXTRAS:
- STEP IRONS
6. SUPPLIED AS STANDARD WITH A STAINLESS STEEL MESH BASKET 316.
7. SECONDARY STAINLESS STEEL FIXED SCREEN WITH 6MM HOLES.
8. PRODUCT IS SUPPLIED WITH PIT BASE, PRE-BENCHED TO ASSIST WITH ABSOLUTE DRAINING.
9. INTERNALLY COATED WITH ACID RESISTANT TAR EPOXY PAINT.
10. CUSTOM FEATURES TO THIS TANK ARE AVAILABLE UPON REQUEST.
11. OTHER PVC PIPE SIZES AVAILABLE UPON REQUEST
12. INSTALLATION INSTRUCTIONS MUST BE FOLLOWED.
13. COVER WILL ADD TO OVERALL DEPTH.



A OPEN TANK PLAN VIEW
- NOT TO SCALE

ALL DIMENSIONS ARE APPROXIMATE AND IN mm UNLESS OTHERWISE NOTED

© Copyright



ph:1300 885 295
melbourne@mascoteng.com.au
www.mascoteng.com.au

Mascot Engineering Melbourne
30 Earl Street,
Airport West VIC 3042

PRODUCT DESCRIPTION:
**PRECAST GRC DRY
ARRESTOR PIT**

PRODUCT CODE:

AD 19

APPROVED:

N.T

DRAWN BY:

M.Z

TOTAL WEIGHT OF PRODUCT:

242 KG

SCALE:

NOT TO SCALE

DATE:

07.04.2010

DRAWING NO:

ME-VIC-TW-DA-33

REVISION:
B