

WA Triple Interceptor (Petrol and Oil Trap)

Available Covers

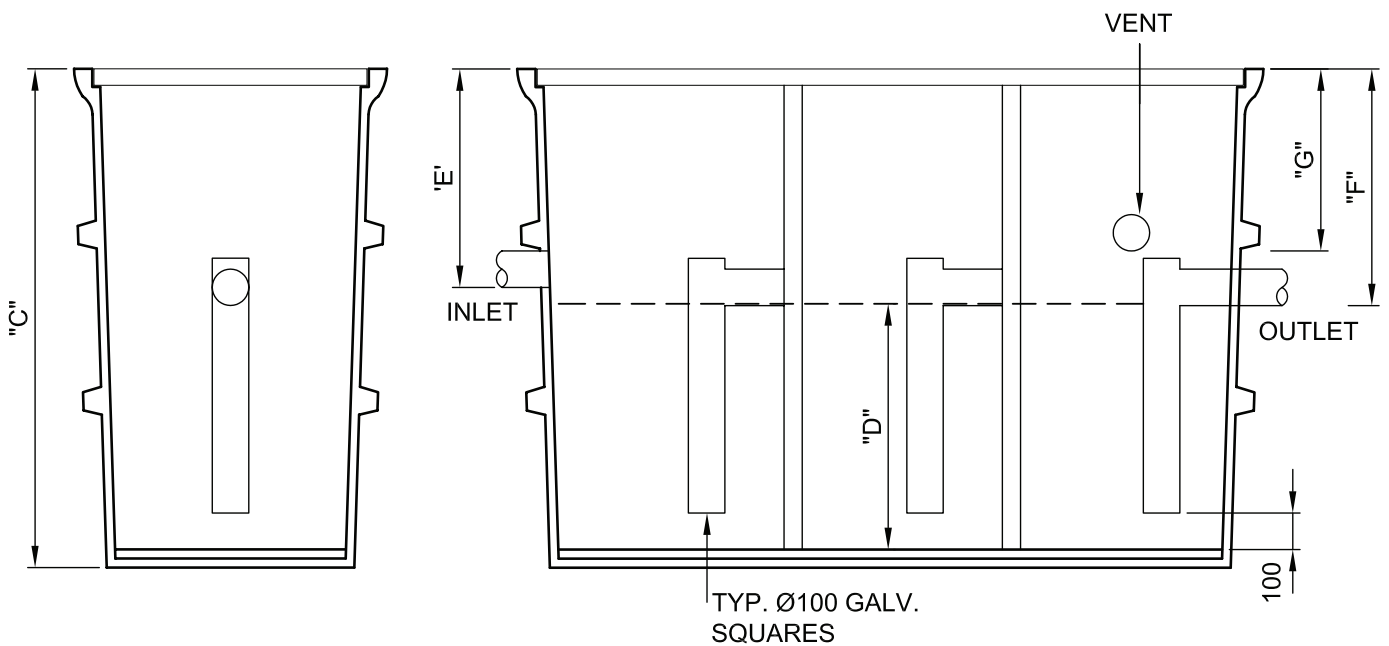
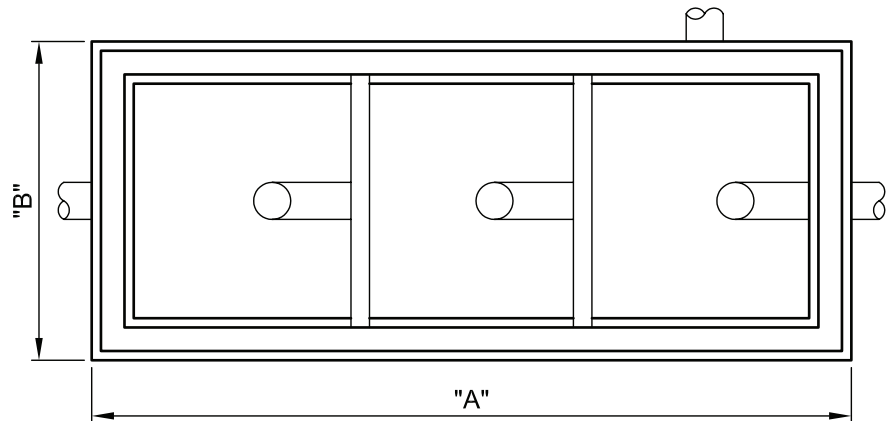
- Solid Top Gastight Cover & Frame
- Cast Iron Gastight Covers in concrete surround

Standard Features

- Internal coating of acid resistant tar epoxy paint
- All pipe fittings are 100mm Ø PVC. Others available upon request
- Vent 100mm Ø PVC

Available Extras

- 300mm risers (Specials available)
- Step irons
- Ladders
- Work Platforms



PRODUCT CODE	CAPACITY (L)	A	B	C	D	E	F	G	MASS (KG)
WATI 1	760	2050	860	1370	550	750	800	650	500
WATI 2	1000	2050	860	1370	700	600	650	500	500
WATI 3	1500	2050	860	1670	1050	550	600	450	610
WATI 4	2000	2050	860	1970	1400	500	550	400	720

Overall depth will vary depending on cover required.

Accepted by the Water Corporation of WA for connection to their services.



Mascot Engineering Perth

Ph: 1300 885 295 www.mascotengineering.com.au